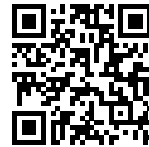


Sink Giotto

Kitchen Sinks

Code: 1333 000



DETAILS

Edge/Installation Type Flush-mount | Top-mount

Finish Foster brushed

Material AISI 304 stainless steel

Texture Brushed in line

Base 60 cm

Dimensions Ø 520 mm

Standard fittings Fixing hooks, gasket, drain, overflow and siphon, boxed packing

Mixer holes No standard holes

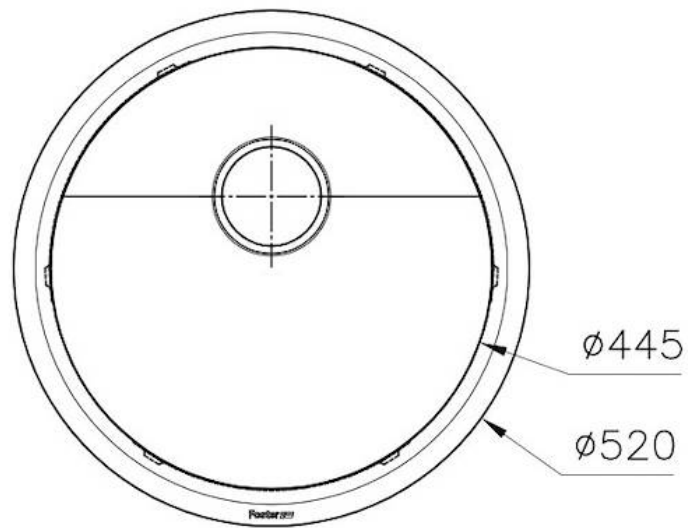
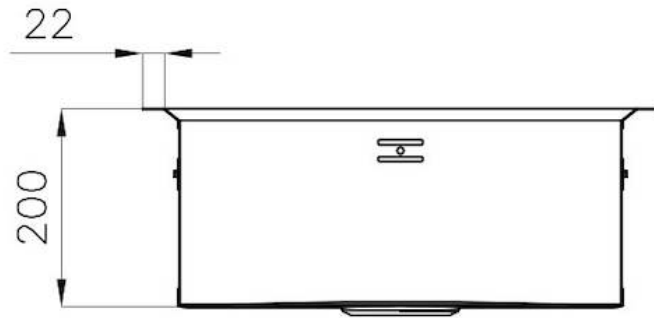
Built-in hole View technical data sheet

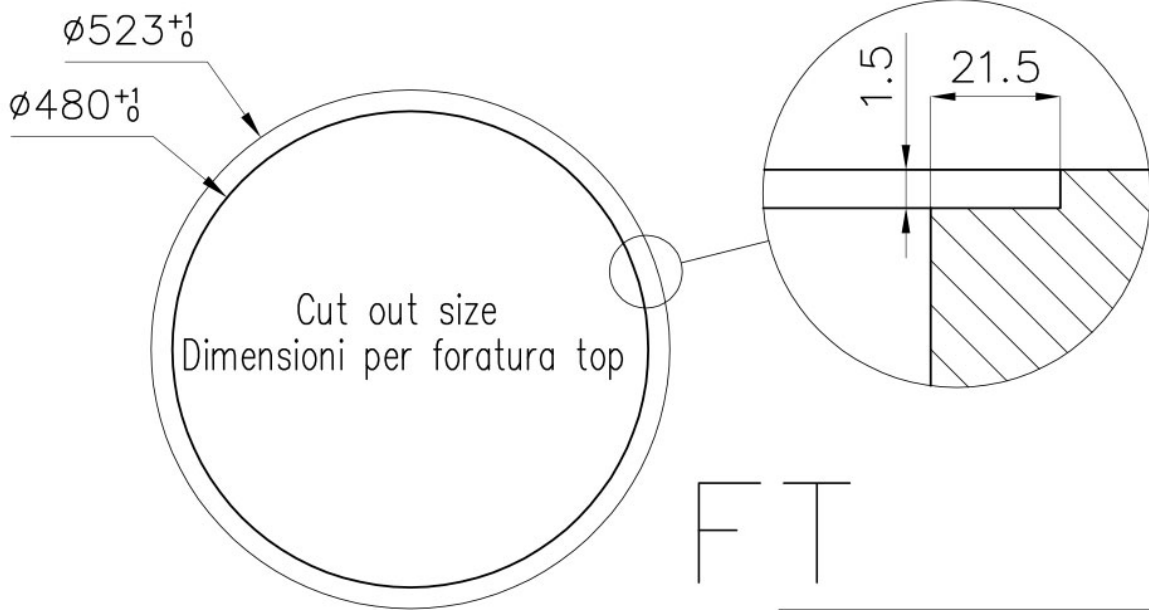
Drainer	No
Width	52 cm
Bowl dimension	Ø 445mm
Number of bowls	1 bowl
Waste fitting	Drain SPACE 3,5"

FEATURES

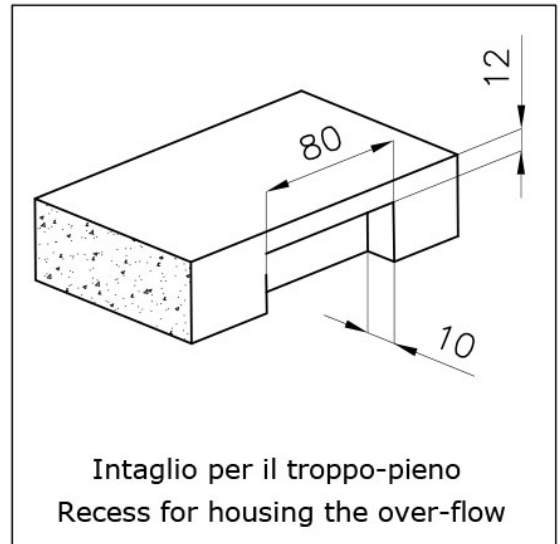
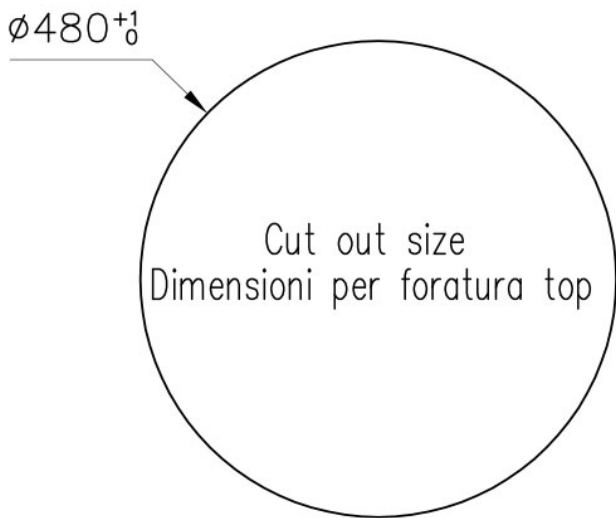
High thickness	1mm thick steel. A significant thickness, which guarantees the maximum sturdiness and durability.
Space waste fitting	The elegant SPACE steel cap closes the drain and leaves no visible residues collected in the basket below. Space also has a small footprint and allows the optimal use of the under-sink compartment.
Save space system	Drain and siphon are designed to leave as much space as possible in the under-sink area, more and more useful today for theseparate waste collection systems.
Deep bowls	This bowls reach an important depth, over 20 cm, thanks to the advanced production technology, that can be offer great capieny and practicity in all the washing operations.

TECHNICAL DATA





FT



FTS

GALLERY



OPTIONAL ACCESSORIES



Stainless steel Plate rack
8100 051



Kit Giotto
8100 152